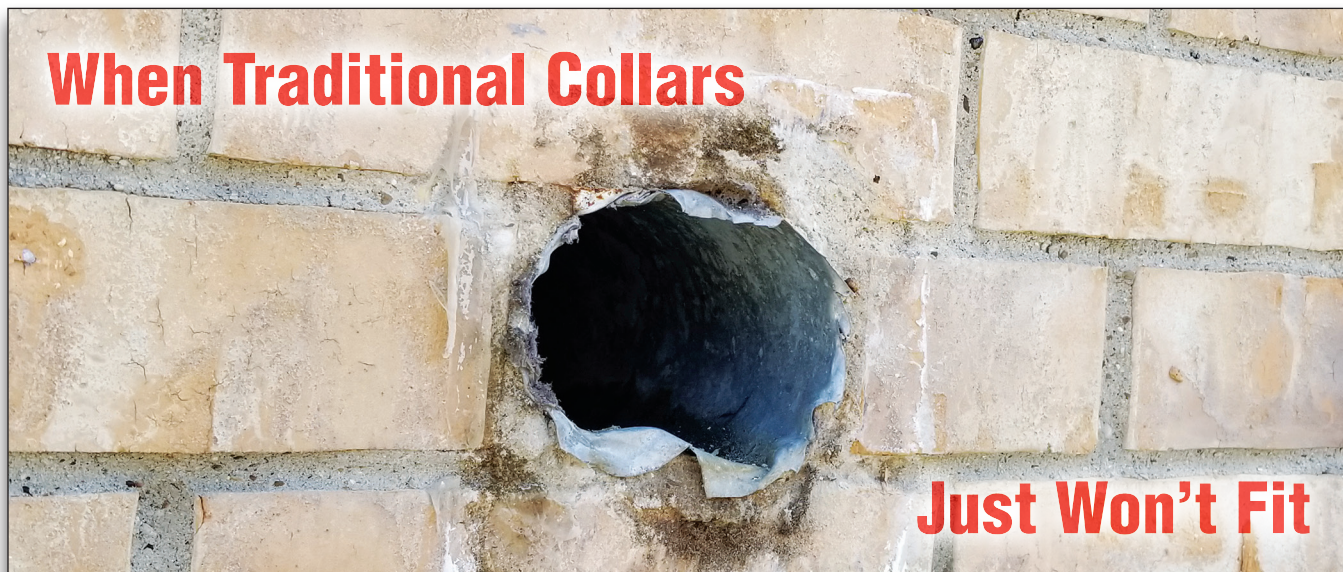


**High-Performance Low-Profile Termination**

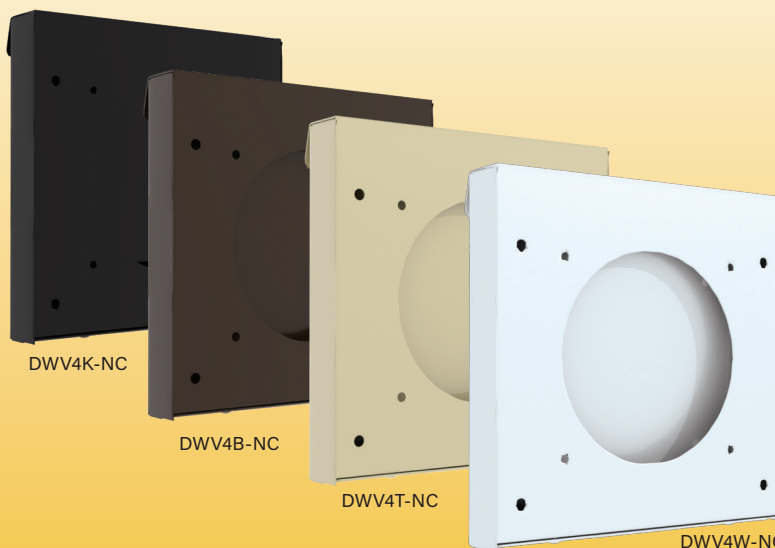
# **DryerWallVent® No Collar Version**



## **Even Easier Installation**

Take advantage of the clean lines and durability you count on from the DryerWallVent, only in a more versatile form. In retrofit scenarios, there are times when the standard collar that is otherwise helpful for a quick install, becomes an impediment.

The "No-Collar" DryerWallVent is the perfect solution for tough installs. A little extra care in caulking is warranted, but you get the same benefits of the standard collar version.



**INOVATE**

**888-443-7937**

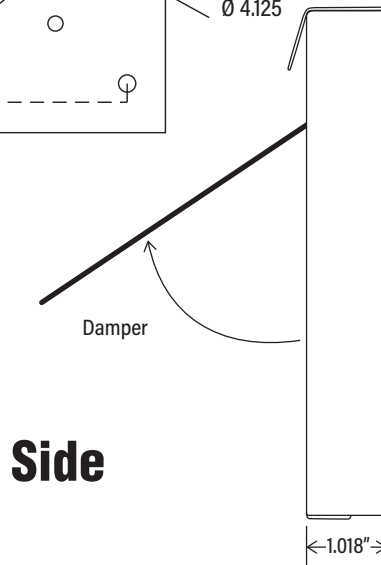
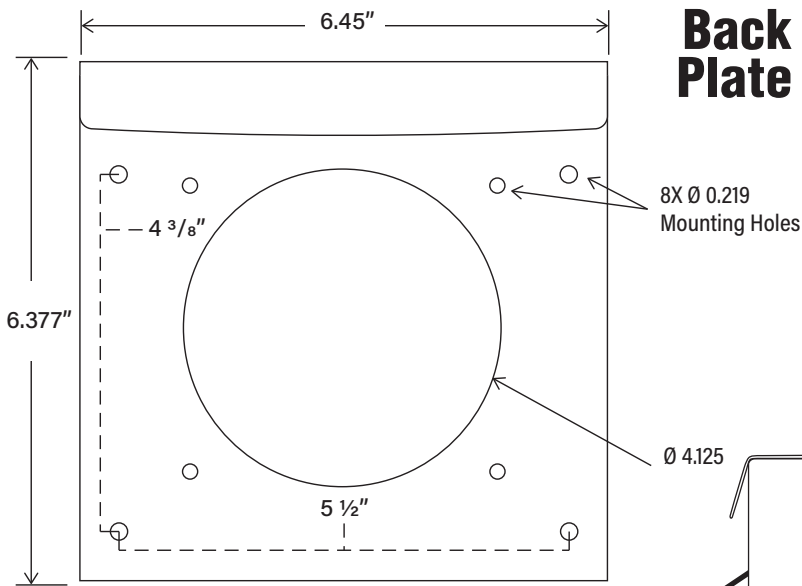
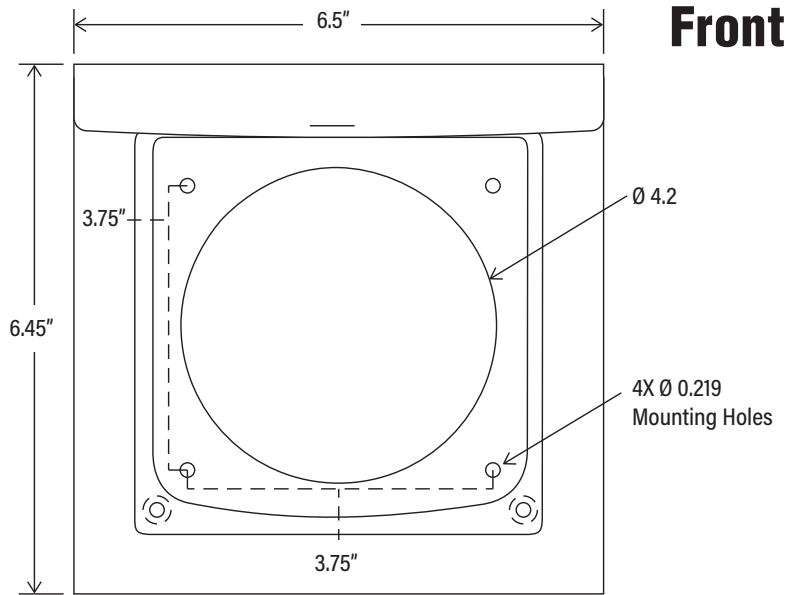
*The Dryerbox®  
People*

**DryerWallVent.com**

250 South Central Boulevard • Suite 207 • Jupiter FL 33458-8812 • Fax: 561-745-9723



# Technical Product Specifications



| Model Number | Color |
|--------------|-------|
| DWV4W-NC     | White |
| DWV4T-NC     | Tan   |
| DWV4B-NC     | Brown |
| DWV4K-NC     | Black |

## Performance Data

### Product Use:

- Venting Dryer Exhaust Systems Through Exterior Walls
- Complies w/ IMC 504.4 & IRC 1502.3

### Materials:

- Heavy Gauge Galvalume® Steel Housing
- Lightweight Gauge Galvalume® Damper
- Polyester TGIC Weather Resistant Powder Coating

### Carton Weight:

DWV4: 10 lbs. | DWV-NC: 18 lbs.

## General Information

### Benefits:

- Improves Aesthetics with Flush Installation
- Installs Easily in New and Existing Construction
- Simplifies Duct Cleaning with Easy Accessibility
- Deters Bird and Rodent Entry
- Maximizes Airflow Efficiency
- Helps Minimize Dryer Cycle Times
- Extra Protection Against the Elements

### Features:

- Deep Drawn Manufacturing Process
- Galvalume® & Powder Coated Steel Construction
- Lightweight Damper and Heavier Frame
- Recessed Gravity Damper & Integrated Magnets
- Integrated Secondary Back Plate with Wider Mounting Holes
- Built-in Drip Edge
- Damper Opens Freely to 110°
- Low Strength Closure Magnets
- Rubber Bumpers Support Quiet Closing Damper
- Eight Built-in Mounting Holes
- **Stocked in 4 Colors: White, Tan, Brown and Black**

## Manufactured By

**InOvate Technologies, Inc.**  
 250 S. Central Blvd. Suite 207  
 Jupiter, FL 33458  
 Phone: (888) 443-7937  
 Fax: (561) 745-9723  
<https://dryerwallvent.com>

 **Made in the USA**